

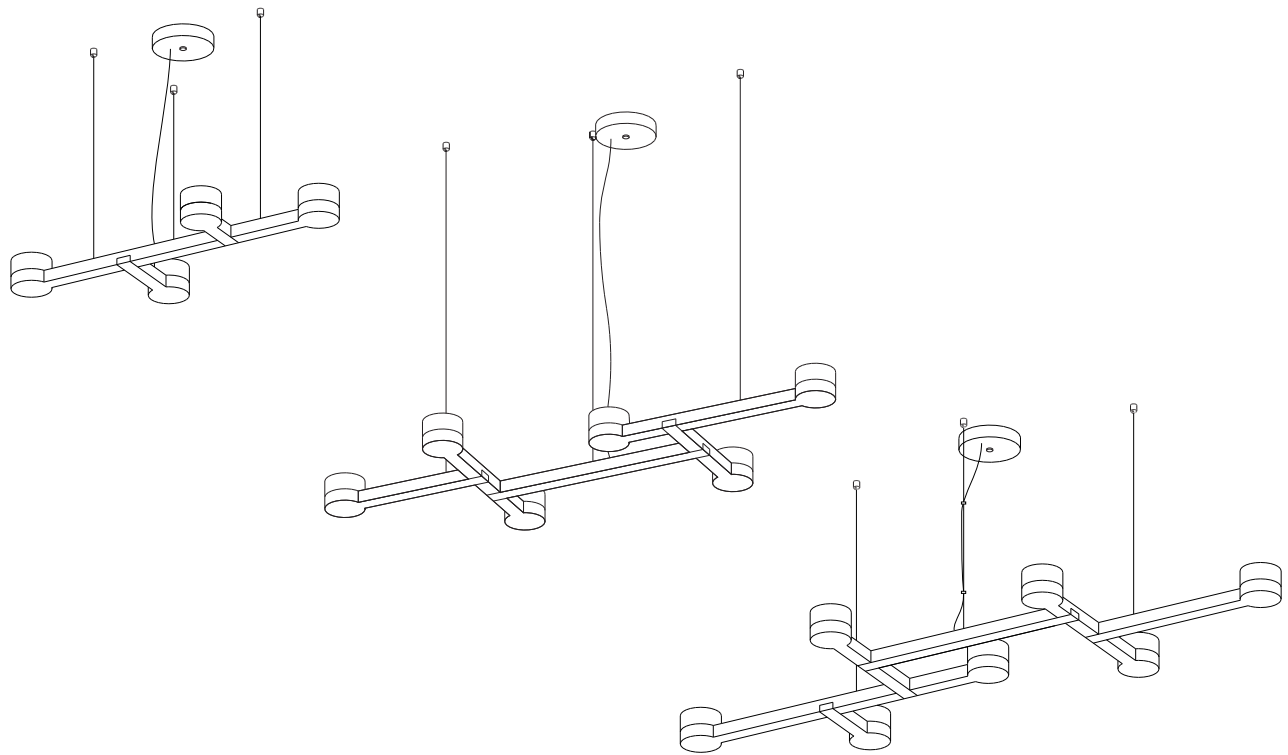
# propellor

Adanac



Crafted from solid hardwood, Adanac's clean design focuses attention on the beauty of the wood, clean joinery and warm light. The modular nature of Adanac's design allows us to collaborate with our clients to configure the light to suit their particular space and circumstance perfectly. Whether suspended above a dining room table in an intimate space or illuminating the length of a bar in a restaurant, Adanac's nodal grid can be expanded limitlessly, allowing it to add warmth and light to any space.

Adanac is finished with a safe and durable oil and wax finish and lit with energy efficient LED lamps. All of it's parts can be easily recycled at the end of it's long, long life.



## ADANAC SUSPENSION LIGHT

### Description:

Suspended solid wood LED chandelier light

### Details:

Materials: ash, alder, black walnut, white oak, custom woods available. Frosted acrylic lamp shades.  
Canopy: white, silver or black powder coated aluminum, custom colour available.

### Environmental:

- natural oil and wax finish
- LED lamping

### Lamping:

6W GY6.35 base warm white (3000K) LED, 540 Lumens per lamp

Power supply: Dimmable Class 2 AC/DC switch mode. Input 120V AC 50/60Hz, Output 12V DC

### Regulatory Compliance:

All products are inspected and accepted by QAI Laboratories or CSA International prior to shipment.

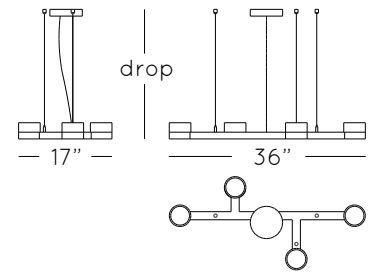
Final acceptance of the approval mark is subject to the requirements of the local Authority Having Jurisdiction.

### Adanac 4

Dimensions: 36" x 17" footprint  
 Drop: to specification  
 Lamping: 4X GY6.35 base warm white (3000K) 12VDC LED  
 Power consumption: 24 W  
 Weight: approx. 5lb / 2.27kg  
 Retail: \$2300 CAD

**Ordering codes:**

- AD4\_A** (ash)
- AD4\_AL** (alder)
- AD4\_W** (walnut)
- AD4\_WO** (white oak)

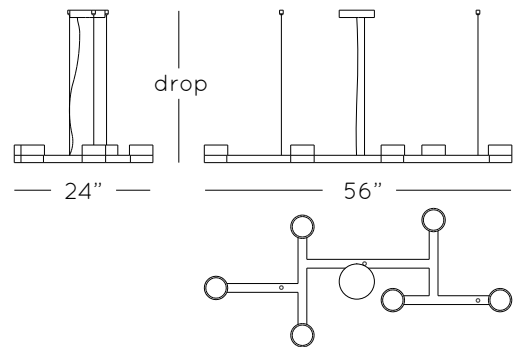


### Adanac 6

Dimensions: 56" x 24" footprint  
 Drop: to specification  
 Lamping: 6X GY6.35 base warm white (3000K) 12VDC LED  
 Power consumption: 36 W  
 Weight: approx. 8lb / 3.63kg  
 Retail: \$3230 CAD

**Ordering codes:**

- AD6\_A** (ash)
- AD6\_AL** (alder)
- AD6\_W** (walnut)
- AD6\_WO** (white oak)



### Adanac 7

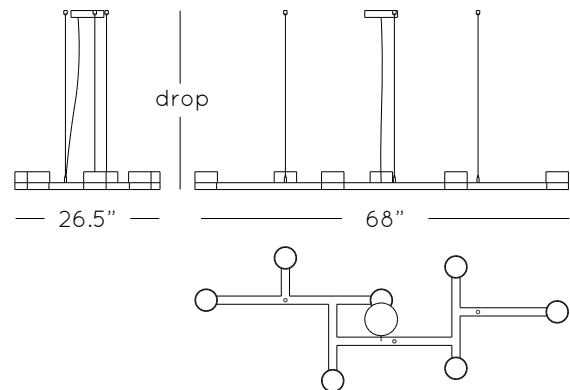
Dimensions: 68" x 26-1/2" footprint  
 Drop: to specification  
 Lamping: 7X GY6.35 base warm white (3000K) 12VDC LED  
 Power consumption: 42 W  
 Weight: approx. 10lb / 4.54kg  
 Retail: \$3690 CAD

**Ordering codes:**

- AD7\_A** (ash)
- AD7\_AL** (alder)
- AD7\_W** (walnut)
- AD7\_WO** (white oak)

Typical lead times: 2-6 Weeks

Custom wood types are available upon request,  
 cost may differ accordingly.



\*prices reflect standard models, please contact us for enquiries regarding custom options.