

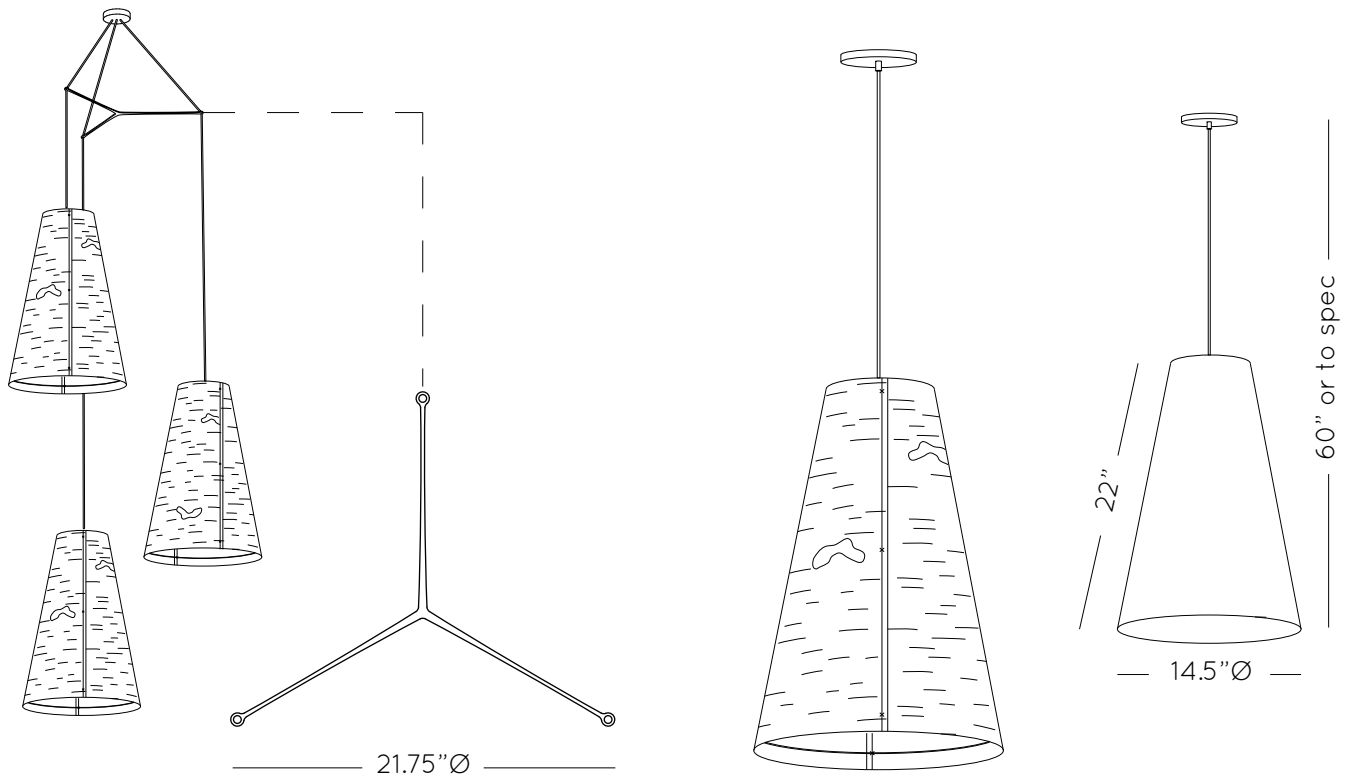
propellor

Ono Birch



We like to find ways to let natural materials express their true nature.

The Ono Birch pendant light expresses the raw beauty of untreated birch bark. Hand formed sheets of birch are fitted over slender metal hoops and carefully stitched together with waxed linen thread. The emphasis is on letting the organic beauty of the birch bark speak for itself. On the exterior, layers of cream and white bark are punctuated with dark knots and the occasional tuft of lichen. The rich honey tones of the interior bark glow warmly from within when lit.



ONO BIRCH BARK PENDANT

Description:

Conical birch bark pendant down-light with varying degrees of lichen, hand stitched with waxed linen.

Details:

Shade: hand stitched birch bark cone form, waxed linen cord with custom colour options.

Canopy: ceiling junction box mounted, white, silver or black powder coated steel, custom colour available.

Cord: black or white SVT, custom colour fabric cord available

Lamping:

120V medium base 20W max. Dimmable 3000K G40 LED bulb provided.

Regulatory Compliance:

All products are inspected, accepted and labelled by CSA International or QAI Laboratories prior to shipment. Final acceptance of the approval mark is subject to the requirements of the local Authority Having Jurisdiction.

Ono Birch 22

Dimensions: 14.5"Ø x 22"

Drop: 60" or to specification

Weight: approx 3lb.

Custom sizes and configurations available

Prices: **ON22_BB** \$1730 CAD (single pendant)

ON22_BBX3_Y \$5560 CAD (pendant trio on Y-canopy)

Typical lead times: 4-6 Weeks